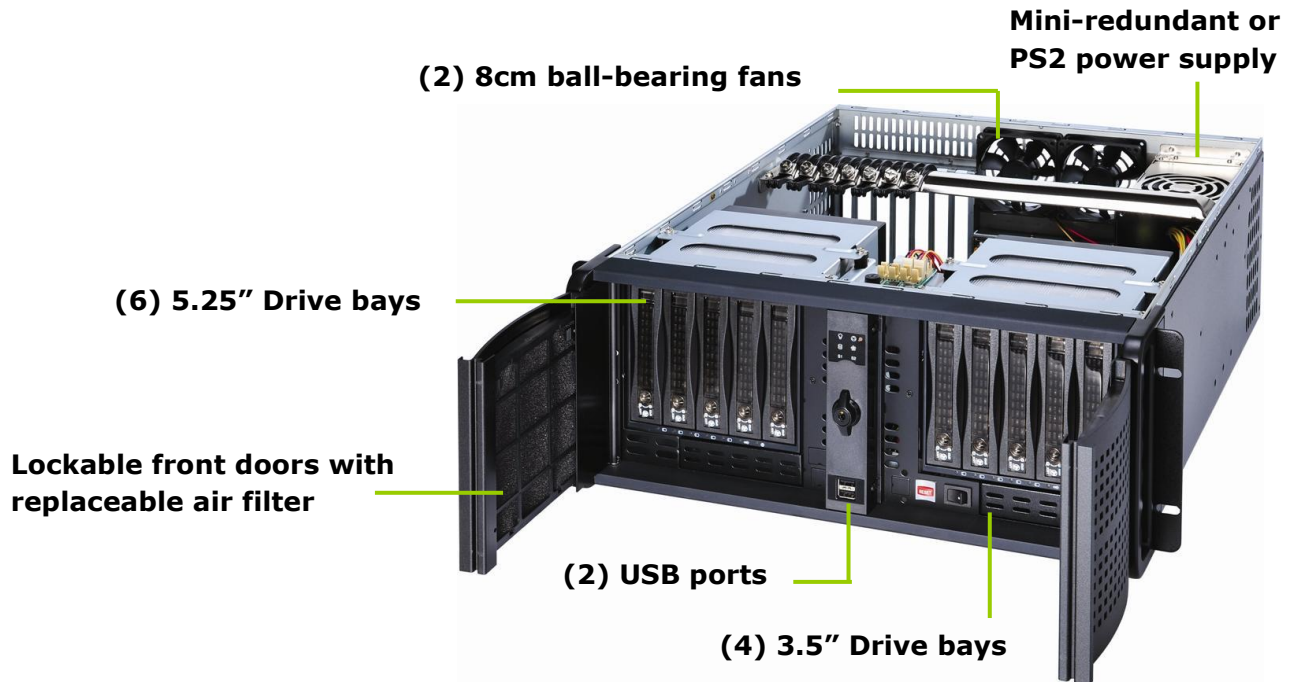




4U Rackmount Chassis for RAID storage with 10 Drive bays, supports ATX/EATX Motherboard and Mini-redundant Power supply



Introduction

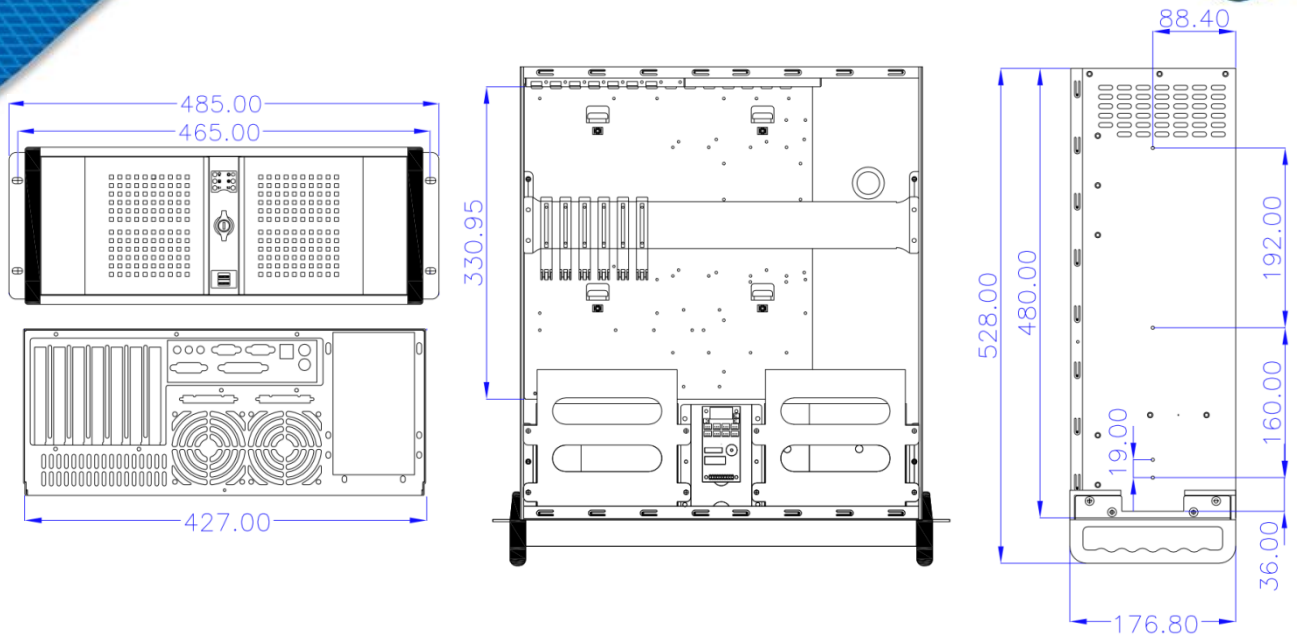
RCK-410MA is specifically designed for storage server application. Despite of its short depth, it provides a high capacity of ten 3.5" mobile racks applicable drive bays to contain large amount of data. Appropriate temperature within **RCK-410MA** is secured by two 80mm high speed ball-bearing fans. PS2 Mini-redundant power supply is applicable to ensure minimum down time of the system. **RCK-410MA** is very suitable for RAID application for small to large companies

Features

- 4U 19" rackmount chassis
- Heavy-duty steel, Black
- Support ATX/EATX motherboard
- (6) 5.25" and (2) 3.5" ext. drive bays
(2) 3.5" internal drive bays
- (2) USB 2.0 port (optional USB 3.0)
- (2) 80mm ball-bearing fans
- Temperature monitor board
- Dual Lockable front doors with replaceable air filter
- Up to (10) 3.5" SATA HDD mobile rack (optional)
- Supports PS2 or Mini-redundant PSU
- 427 x 480 x 176.8mm (WxDxH)



Mechanical Drawing



Construction

- Heavy-duty Steel, SECC 1.2t

Color

- Black

Board Support

- ATX/EATX motherboard

Drive bay

- (6) 5.25" and (2) 3.5" ext. drive bays
- (2) 3.5" internal drive bays
- Optional (10) 3.5" HDD mobile rack

Expansion

- (7) expansion slots

Port

- (2) USB ports on front panel
- Optional USB 3.0 ports

Switch

- Power On/Off and Reset Switch

Indicator

- Power On/Off, HDD activity, Fan Failure, Alert Reset, and Thermal Status LEDs

Cooling System

- (2) 8cm ball-bearing fans
- Temperature control board

Power Supply

PS2 or Mini-redundant power supply

Operation Temperature

- 0~55 °C

Dimension (W x D x H)

- 427 x 480 x 176.8 mm
- 16.8 x 18.9 x 7 inches

Weight

- NW: 12.8kg / 28.2lbs
- GW: 16kg / 35.3lbs

Ordering Information

RCK-410MA	4U chassis for ATX/EATX motherboard with (10) drive bays
RCK-410MA-400W	4U chassis for ATX/EATX motherboard with (10) drive bays and 400W PSU
RCK-410MA-600W	4U chassis for ATX/EATX motherboard with (10) drive bays and 600W PSU
RCK-410MA-400WR	4U chassis for ATX/EATX M/B with (10) drive bays and 400W redundant PSU
MR-K23C5	Optional SATA mobile rack with (5) 3.5" drive bays
MT-SR01	Optional 18-inch ball-bearing slide rail